

3.2.2 Installation direction

Figure 3.4 shows the permissible installation directions for this drive. The mounting angle tolerance must be within -5° to 10° from the horizontal. (-) shows that the insertion faces below.

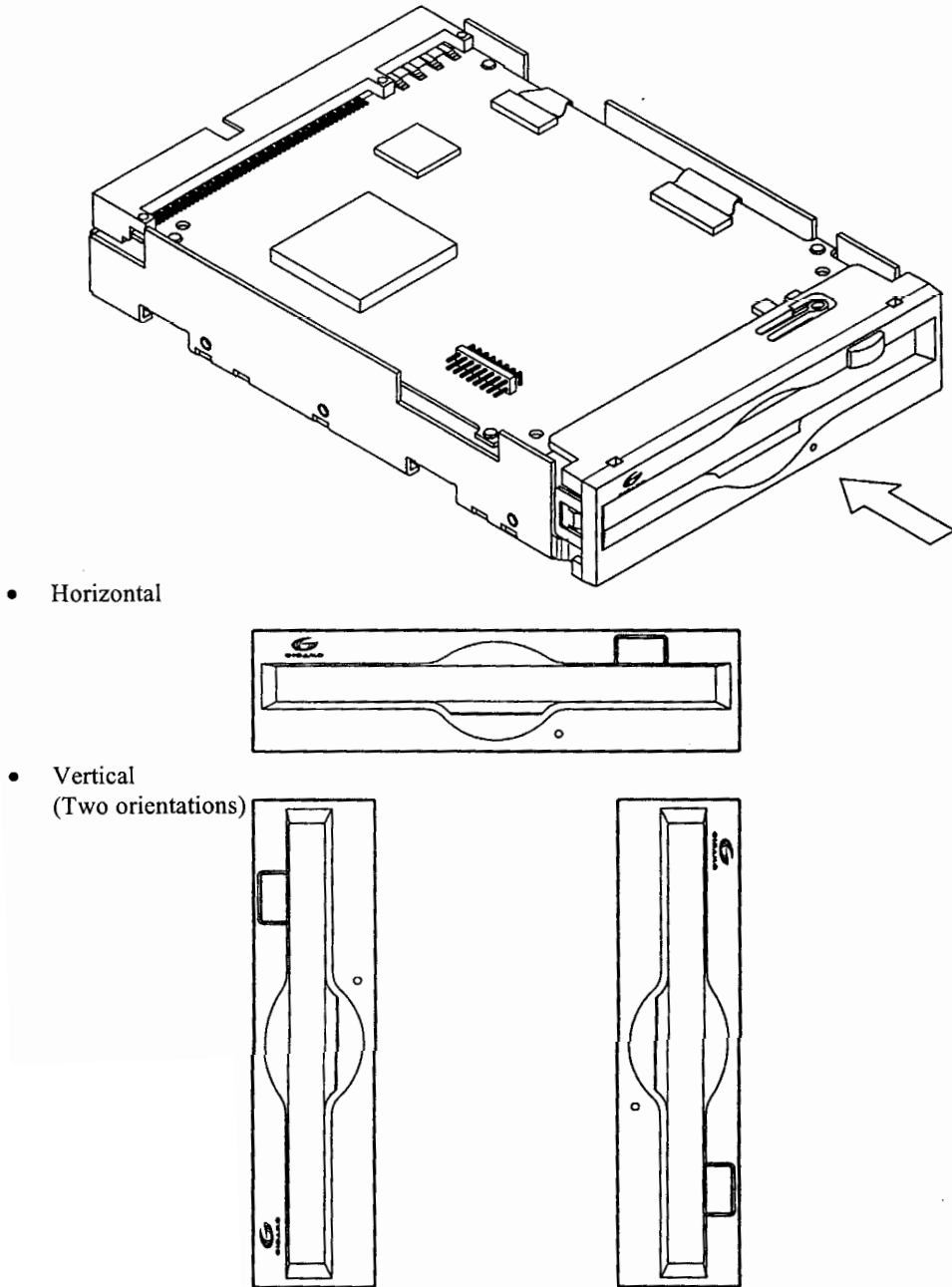


Figure 3.4 Installation directions

(2) Panel function processing

When installed in a cabinet, do not change the panel format. The processing is installation status and the disk insertion door can be closed from any locations.

(3) Service clearance

Figure 3.7 shows locations which must be accessed for installation and maintenance. Be sure to leave sufficient service clearance.

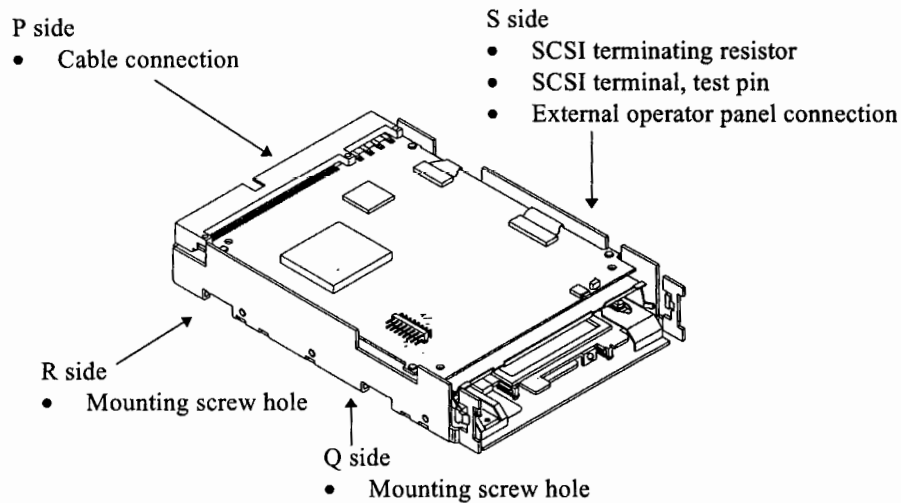


Figure 3.7 Service clearance

(4) External magnetic fields

Mount the optical disk drive away from powerful magnetic materials (e.g., a speaker) to avoid influence from magnetic fields.

(5) Leak magnetic field

The VCM drive magnetic circuit may leak the magnetic field (Maximum 25 Gauss at distance of 4 mm from the drive).

IMPORTANT

Do not place a device sensitive to a magnetic field near the optical disk drive.

(6) External light source

Mount the optical disk drive away from strong light sources (e.g., camera flash).